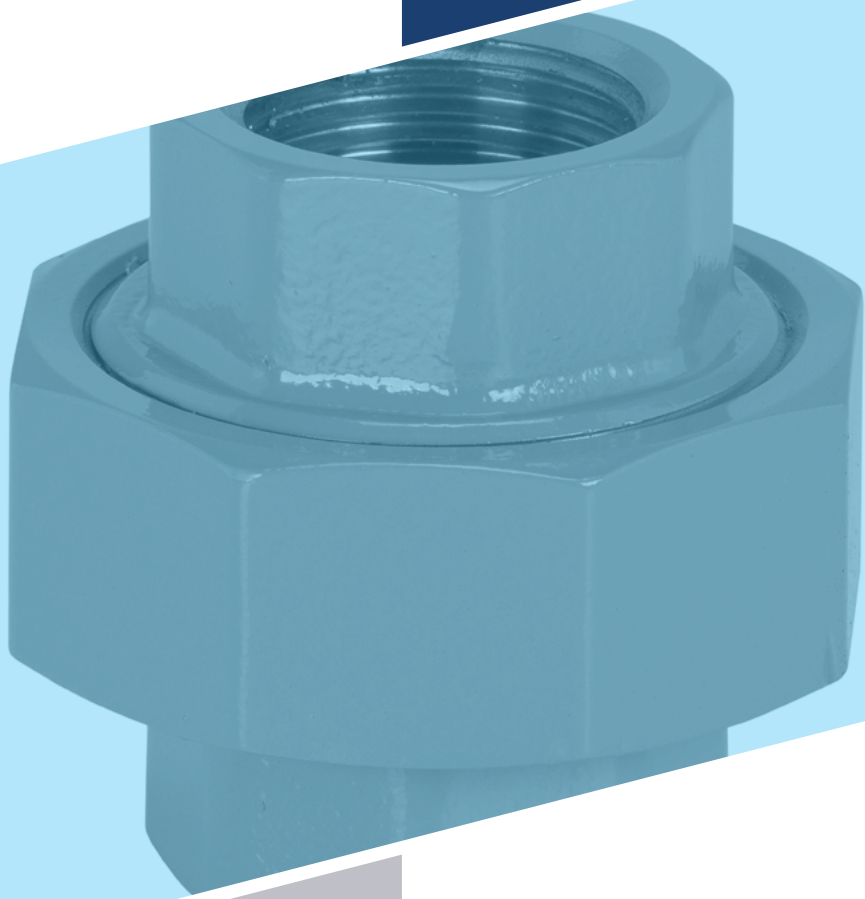




FLAME CHECK

MODEL 7622B



MODEL 7622B

The Groth Model 7622B is designed to prevent flashback in small lines carrying flammable gases. They are often used in small pilot lines and are intended for use where the gas flow can be shut off. The units are union type fittings with FNPT connections.

Technical Details

- Size: 0.5" (DN15) through 2" (DN50)
- Housing Material: Carbon Steel or Stainless Steel
- Flame element: Stainless Steel
- Pre-Ingition System Pressure: Up to 23.2 psia (1.60 bara)
- Certification: Certified to ATEX Directive in compliance with EN ISO 16852:2010
- Operational Temperature Range -4 to 140 °F (-20 to 60 °C)
- IEC gas group IIB3 (MESG \geq 0.65 mm)

Features

- Vertical Installation only
- Modular design allows easy access for inspection and maintenance
- Flame element has sufficient openings to provide a minimum pressure drop and still prevent flashback in the line
- Flame element consists of mesh and chemically etched plates

Options

- Special connections upon request
- FNPT threaded connections



GROTHCORP.COM